

Trommelberg is your best partner in supplying body repair and garage equipment.

Trommelberg is the Perfect solution for your business.

- Diverse and constantly updated product range
- 20 manufacturing plants
- Continuous supervision throughout all stages of production
- R&D investment
- Flexible pricing policy
- Quick logistics
- Equipment installation services
- Maintenance and technical support
- Training center

All products are internationally certified and meet the highest technical standards set by the leading manufacturers of similar equipment.

This catalogue offers a comprehensive list of Trommelberg products for professional body repair and garage jobs.

To stay updated with new products and special events, please visit the website www.trommelberg.com

THINGS WILL GO UPHILL!



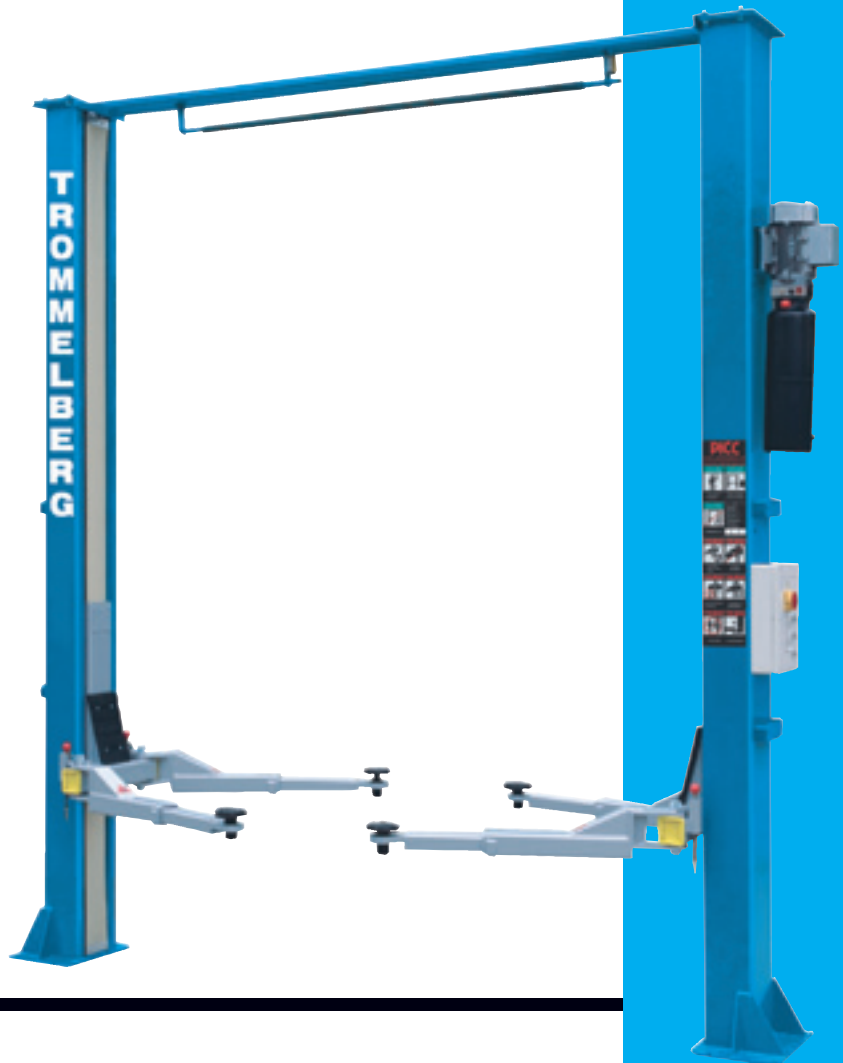
Contents

LIFTS	4-7
two-post lifts	4-5
four-post lifts	6
scissor lifts	7
WHEEL ALIGNMENT EQUIPMENT	8-10
wheel aligner	8
wheel alignment accessories	10
JACKS, GARAGE CRANES, STANDS	11-20
transmission and trolley jacks	11-13
engine cranes and engine stands	14-15
engine supports and jack stands	16-17
presses	18-20
EXHAUST EXTRACTION EQUIPMENT	21-22
reels and hoses, gas nozzles	21
fans	22
WHEEL SERVICE EQUIPMENT	23-28
car tire changers	23-24
car wheel balancers	25-26
truck tire changers	27
truck wheel balancer	28



VEHICLE SYSTEM SERVICE EQUIPMENT	29–33
oil changing equipment	29–33
PAINT SPRAYING AND BAKING EQUIPMENT	34–41
infrared dryers	34–37
spray booths	38–39
industrial spray booths	40–41
BODY REPAIR EQUIPMENT	42–44
benches	42–44
BODY REPAIR TOOLS	45–55
BODY FITTING TOOLS	56

4 Ton Two Post Lift with Upper Synchronization



TST40G

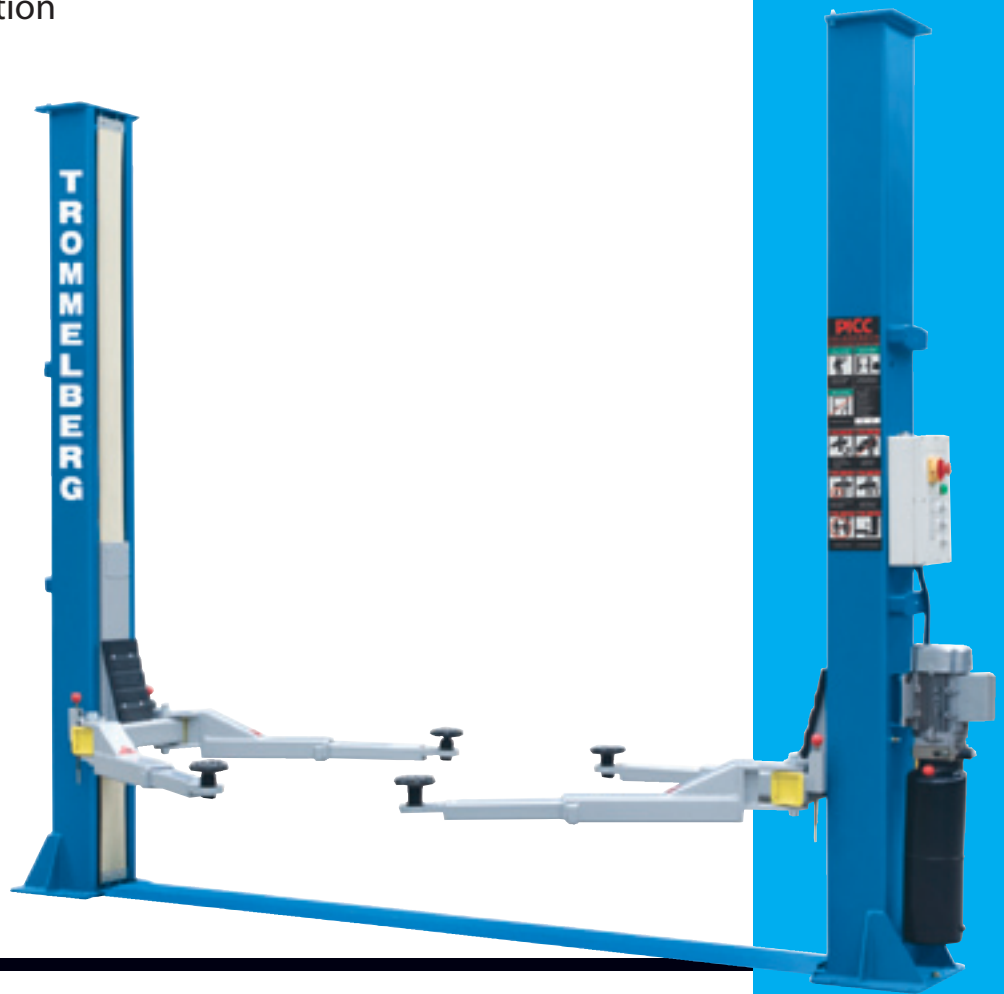
Electro-hydraulic lift for vehicles up to 4 tons.
Equipped with CE certified safety system.

- Asymmetric lifting arms provide free access to vehicle doors
- Upper synchronization: 2 hydraulic cylinders + 2 pulling cables
- Safe and reliable electromagnet release
- Lowering without the use of the hydraulic unit
- Manual lock release of emergency lowering valve
- Reinforced lifting carriages are not subject to deformation
- 24 V push button control box
- Crash-proof rubber pads provide vehicle door protection
- Slide blocks made of temperature-resistant, high-strength nylon
- Double safety system: the vehicle is kept at the required height by hydraulic pressure and automatic locking ratchets
- Convenient threaded supports with rubber pads
- Base plates made of 6 mm sheet steel
- Required foundation depth: max. 150 mm
- Durable powder coating (RAL5015)

Technical Data

Lifting capacity	4000 kg
Lifting height	1800 mm
Overall width	3427 mm
Overall height	3601 mm
Lifting/lowering time	54/24 s
Lowest lifting point	120 mm
Distance between columns	2806 mm
Power	1 x 2.2 kW
Power supply	3PHx400V/50Hz
Net weight	750 kg

4 Ton Two Post Lift with Lower Synchronization



TST40E

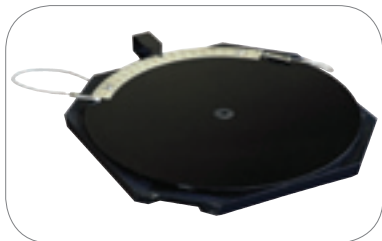
Electro-hydraulic lift for vehicles up to 4 tons.
Equipped with CE certified safety system.

- Asymmetric lifting arms provide free access to vehicle doors
- Lower synchronization: 2 hydraulic cylinders + 2 pulling cables + 2 synchronization cables
- Safe and reliable electromagnet release
- Lowering without the use of the hydraulic unit
- Manual lock release of emergency lowering valve
- Reinforced lifting carriages are not subject to deformation
- 24 V push button control box
- Crash-proof rubber pads provide vehicle door protection
- Slide blocks are made of temperature-resistant, high-strength nylon
- Double safety system: the vehicle is kept at the required height by hydraulic pressure and automatic locking ratchets
- Convenient threaded supports with rubber pads
- Base plates are made of 5 mm sheet steel
- Required foundation depth: max. 150 mm
- Durable powder coating (RAL5015)

Technical Data

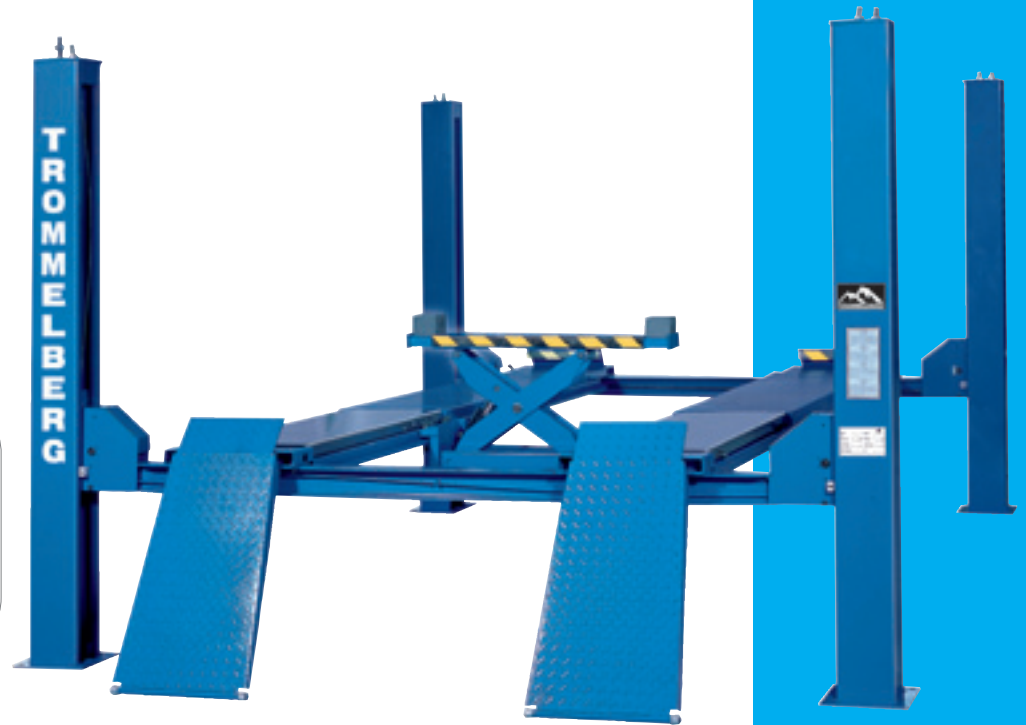
Capacity	4000 kg
Max. lifting height	1800 mm
Overall width	3420 mm
Column height	2832 mm
Lifting time	52/22 sec
Min. height	120 mm
Distance between columns	2806 mm
Electric motor power	1 x 2.2 kW
Power supply	3PHx380V/50Hz
Net weight	630 kg

Four Post Lift for wheel alignment



art. TT-004

Car Turntable, 1 ton



TST440A

Electro-hydraulic lift for cars, minivans and light trucks. Due to special equipment it is possible to carry out wheel alignment, wheel mounting/demounting and adjustment of brake and steering wheel systems.

- Pneumatic hydraulic axial wheel free lift
- Rear slip plates and recess in platforms for wheel alignment
- Pneumatic unlocking system with central control
- Lift lowering without power supply
- Easy-to-use control unit with keys
- Ramps are fitted directly to the lift, so it is not necessary to position them every time before drive in and exit of a vehicle.

Standard shipment: _____

- pneumatic hydraulic axle jack
- 2 racks with recess for front turntables
- 2 front turntables
- 2 rear slip plates
- 2 drive-in ramps
- 2 locking devices to prevent the vehicle from rolling down.

Technical Data

Main Lift

Capacity	4000 kg
Lifting height	1750 mm
Overall length (with ramps)	5100 mm
Overall width	3110 mm
Lifting/lowering time	55/55 sec
Length of platforms	4250 mm
Width of platforms	520 mm
Motor power	1 x 2.2 kW
Power supply	3PHx380V/50Hz
Net weight	1050 kg

Axle Jack

Max. capacity	2000 kg
Max. lifting height	490 mm
Distance between pick-up points	880-1280 mm
Working air pressure	6-8 bar

Low Profile Double Scissors Lift



TXB30Y

Perfectly suits for tire mounting/dismounting and chassis maintenance

- Double Scissors Lift, pick up points under body sills, extendable platforms
- Low profile platforms (105 mm height), takes up minimum space
- External hydraulic unit with control panel
- Hydraulic synchronization of platforms
- Pneumatic safety lock is automatically engaged after pressing the up/down button
- Return valve prevents the platforms from accidental falling in case of broken hydraulic hose, for the safety of operator and vehicle
- Weldless solid platform ensures reliability and durability
- Low voltage controls conform to CE standards.



Extendable platforms are suitable for various types of vehicles.



Hydraulic synchronized cylinders provide perfect platform safety, running simultaneously and smoothly.

Technical Data

Lifting capacity	3000 kg
Lifting height	1850 mm
Lifting / lowering time	55 / 55 sec
Min. height	105 mm
Platform length with extensions	2050 mm
Platform width	635 mm
Total lift length	2050 mm
Total platform width	2030 mm
Motor power	2.2 kW
Power supply	3PHx400V/50-60Hz



Computerized Wheel Aligner



2.4 GHz

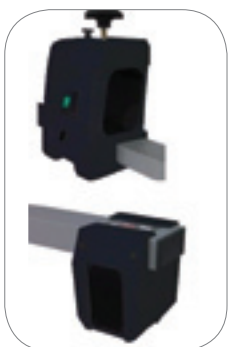


URS1805 RV

Wheel aligner with newly designed wireless infrared sensor heads equipped with eight CMOS sensors.

The wheel aligner URS 1805 RV with the software meets the highest professional demands.

The software runs under the control of the Windows operating system. Intuitive menus, vivid graphics, user-friendly interface with a complete set of functions and adjustment procedures according to your preferences.





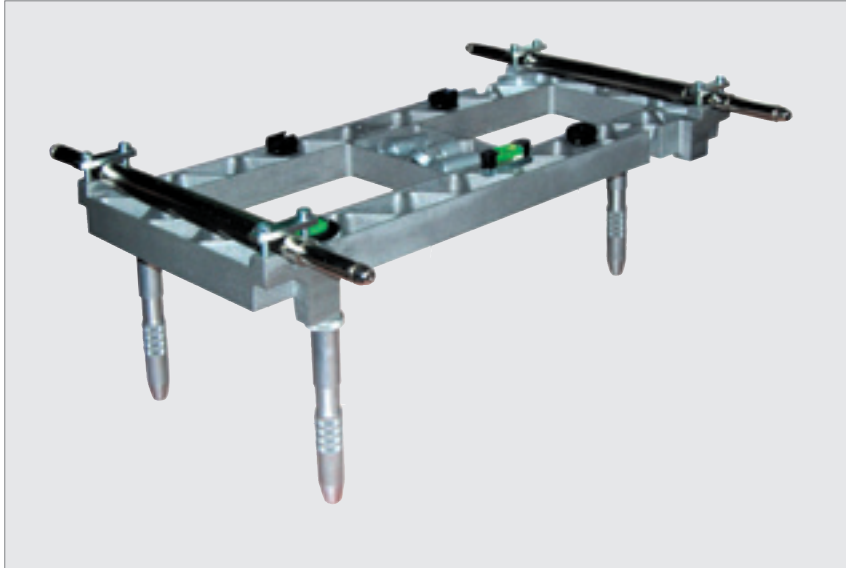
- Wireless sensor heads: 2.4 GHz radio data transfer between sensor heads and PC
- New sensor heads: sensor head body cast in aluminium provides efficient anti-shock and dust protection of electronic components
- CMOS sensors feature high precision, high linearity, low power consumption and do not require full scale calibration
- All measurement data are displayed on one page!
- OEM adjustment option is available
- Several run-out compensation modes: 2-Point ROC, ROC Fast, Push Mode ROC, ROC Skip
- Comprehensive database with over 18000 passenger cars and light trucks
- Optional truck databank with over 3000 vehicles
- "Easy Caster": fast caster measurement without braking sensor heads
- Animated hints allow to prepare the vehicle for measurement and adjustment
- "Quick Check": complete 2-head front axle measurement and adjustment procedures
- Cradle adjustment
- Quick job record data input
- Continuous sensor calibration checking
- Measurement procedures for trucks and trailers (option)
- HELP information for vehicle adjustment, charts and animated hints (option)
- Software compatible with Asa Network protocol and such equipment as RH-Meter and Romess CM-09606.

Standard Shipment _____

- 4 wireless sensor heads with CMOS sensors;
- 4-point wheel clamps for 10"-26" sized rims;
- professional PC;
- Intel processor;
- 256 MB RAM;
- min. 80 GB hard drive;
- DVD drive;
- Hi-Speed USB 2.0 port;
- color printer A4;
- 17" LCD monitor;
- network interface card;
- full-sized keyboard;
- brake pedal and steering wheel brakes.

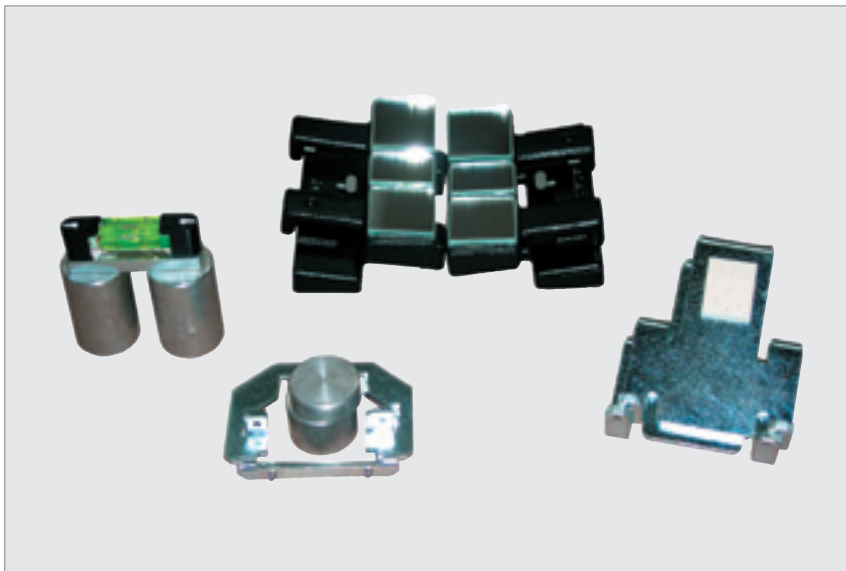
Technical Data	
Rim diameter range	10"-26"
Angle measurement range:	
- total toe	±20°
- half toe (front/rear)	±10°
- camber	±10°
- caster	±30°
- king pin	±30°
- set back	±8°
- thrust angle	±10°
- steering	±24°
Total power	400 kW
Power supply	1PH x 90-260V/50-60Hz
Dimensions (WxDxH)	800x630x1710 mm (central unit w/o sensors)
Weight	160 kg (central unit with sensors)

Options: _____



art. 803258704

Calibrator for URS aligners



art. 803258707

Kit of mirrors and calibration spacers to be used in combination with calibration device **art. 803258704** for adjusting the position of measuring head sensors after their replacement.

Trolley Jacks



Art. No. XRD902



Art. No. XRD802

XRD0902/0802

Manual hydraulic jack.

- The load is lowered by turning the handle
- Simple, reliable and sturdy design
- High-precision load positioning control by means of the handle
- Extra seal kit for replacement
- Breather plug bleeds air from the hydraulic system.



Technical Data	XRD0902	XRD0802
Capacity	2.5 t	3 t
Min. pick-up height	100 mm	138 mm
Max. lifting height	435 mm	485 mm
Package dimensions	670x365x190 mm	770x390x210 mm
Weight	31.9 kg	35.3 kg

Air Hydraulic Trolley Jack 22 tons



SD101902

Single-stage air hydraulic trolley jack for car and truck maintenance.

- Compact jack intended for use in hard-to-reach areas, e.g. between doubled truck wheels
- The saddle height is controlled by a hardened steel screw (H=105 mm)
- Hardened and chrome-plated rod of hydraulic cylinder increases mechanical resistance of the jack
- Built-in safety valve for overload protection
- Handle with control mechanism and inlet connector for compressed air.

Technical Data	
Capacity	22 t
Min. height	226 mm
Max. lifting height	450 mm
Operating air pressure	7.5-8.5 bar
Screw height	105 mm
Dimensions (WxDxH)	675x345x250 mm (w/handle)
Net weight	36.5 kg

Transmission Jack 500 kg



C10102A

- Equipped with a saddle for gearbox replacement
- Hydraulic pump with foot drive
- Spring-loaded release valve reduces the risk of uncontrolled lowering of the jack table
- Swivel castors ensure high mobility of the jack.

Technical Data

Capacity	500 kg
Min. height	1100 mm
Max. lifting height	1900 mm
Base dimensions	570x570 mm
Packing size	1120x235x280 mm
Net weight	30.5 kg

Transmission Jack WITH TABLE 500 kg



SD100302

500kg transmission jack with table for mounting/demounting gear boxes

- Table equipped with chains for gear box replacement
- Hydraulic pump with foot drive
- Spring-loaded release valve reduces the risk of uncontrolled lowering of the jack table
- Swivel castors ensure high mobility of the jack
- Double telescopic rod.

Technical Data

Capacity	500 kg
Min. height	850 mm
Max. lifting height	1795 mm
Rod stroke 1/2 stage	480/465 mm
Table size	360x305 mm
Dimensions (WxDxH)	510x320x750 mm
Net weight	62 kg

Folding Engine Crane 2 tons



C10601B

- Hand hydraulic pump
- Equipped with long hydraulic cylinder to ensure high-speed and safe lift
- Six wheels for mobility
- Built-in emergency valve protects the device and personnel from the consequences of overloading
- Folding design enables the crane to be stored even in confined areas.

Technical Data

Max. lifting capacity	2.0 t
Boom length	920...1430 mm
Lifting height	0-2380 mm
Packing size	136x315x160 + 730x585x90 mm
Net weight	83 kg

Universal Engine Stand 500 kg



C10601-2

Device for rotating engines and gearboxes, equipped with rotation block and universal fixture.

- Rotation and positioning: 360°
- The height of support enables the stand to be easily moved under the vehicle's body. Therefore, it can be positioned close to the vehicle's engine compartment
- Made of high-strength welding elements with quadrate cross-section for higher reliability

Technical Data

Capacity	500 kg
Working height	800 mm
Packing size	900x210x200 mm
Net weight	20 kg

Universal Engine Support 500 kg



C103611

- Designed for the removal/installation of engines, gear boxes and transmissions
- Movable supports with rubber protectors for installation on a vehicle
- Adjustable chain height.

Technical Data

Capacity	500 kg
Beam length	1490 mm
Leg width	230 mm
Height adjustment	300 mm
Chain length	700 mm

Jack Stand 3 tons



C101303

Jack stand with adjustable lifting height used as a vehicle support.

Technical Data

Capacity	3 t
Min. height	200 mm
Max. lifting height	410 mm
Base dimensions (LxW)	190x200 mm

Floor Press, 20 tons



SD0805C

Floor press with hand hydraulic drive.

- Designed for mounting/demounting toothed wheels, universal joints, pulleys, piston pins as well as for bending, straightening and joining parts
- Durable return spring ensures quick return of the piston to its initial position
- Adjustable height of the table
- Pressure gauge to show the applied pressure.

Technical Data	
Max. capacity	20
Piston rod stroke	185
Work space	0...955
Table width	550
Number of table positions	8
Dimensions (WxDxH)	1560x195x135 mm + 620x300x165 mm
Net weight	97

Table Press with Pressure Gauge 10 tons



SD0802

Hydraulic table press with hand pump.
Equipped with pressure gauge to show the applied pressure.

Technical Data

Max. capacity	10 t
Piston rod stroke	180 mm
Work space	0...340 mm
Table width	335 mm
Dimensions (WxDxH)	545x160x765 mm
Net weight	50 kg

Floor Press 12 tons



SD0803B

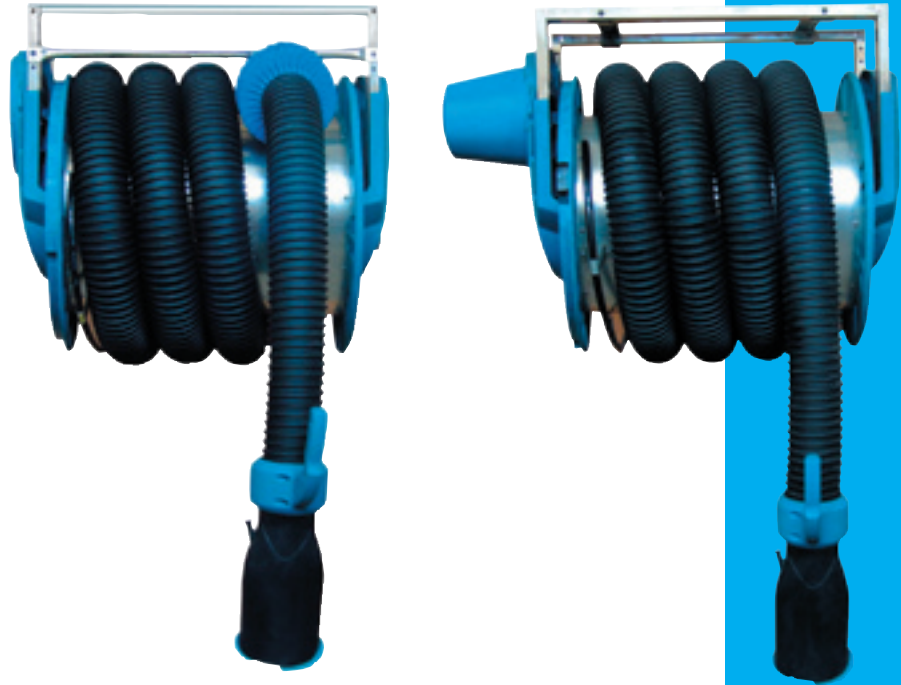
Floor press with hand hydraulic drive.

- Designed for mounting/demounting toothed wheels, universal joints, pulleys, piston pins as well as for bending, straightening and joining parts
- Durable return spring ensures quick return of the piston to its initial position
- Adjustable height of the table
- Pressure gauge to show the applied pressure.

Technical Data

Max. capacity	12 t
Piston rod stroke	180 mm
Work space	0...910 mm
Table width	510 mm
Number of table positions	7
Dimensions (WxDxH)	215x165x1380 mm
Net weight	45.5 kg

Exhaust Hose Reels



art.	
HR70-08/76	Mechanical exhaust hose reel with a hose (length 8 m, diametere 76 mm)
HR70-08/102	Mechanical exhaust hose reel with a hose (length 8 m, diameter 102 mm)
HR70-08/102EH	Electromechanical exhaust hose reel with a hose (length 8 m, diameter 102 mm)

Model HR-70 Series

HR series hose reels for car exhaust extraction.

The reels are made of aluminium alloy-covered steel sheets and coated fiberglass plastic panels. The reels are mounted directly to a centrifugal electric exhaust fan (option).

Depending on the model, the reels may be equipped with a mechanical hose return spring or an electromechanical motor drive for remotely-controlled winding and unwinding of the hose.

The scope of supply also includes a hose, a rubber gas nozzle with a handle, a stopper and a wall / ceiling mounting bracket. The reel with an electromechanical motor drive is also supplied with a wireless remote control.

The hoses are made of thermoplastic elastomer (TPE).

Technical Data	HR70-08/76	HR70-08/102	HR70-08/102EH
Reel length	720 mm	900 mm	1155 mm
Reel height (with mounting bracket)	750-830 mm		
Hose length	8 m		
Hose diameter	76 mm	102 mm	
Nozzle diameter	140 mm		

Fans



Centrifugal Fans

Electric fans designed for exhaust extraction. They are made of aluminium alloy and outfitted with inlet and outlet flanges. The fans are actuated by three-phase spark-proof electric motors.

Technical Data	MSF-2.8	MSF-3.2
Capacity	2800 m ³ /h	3200 m ³ /h
Power supply	3 Phase x 380-400/50 V/Hz	
Electric motor power	1.5 kW	2.2 kW
Inlet/outlet section	160 mm	
Net weight	33 kg	36 kg

Automatic Tire Changer

Option:



Art. PL1330
Pneumatic Assist Device



1885IT

Automatic tire changer with a "jet-blast" rapid inflation function and a tilt back post.

- Suitable for 10"-23" steel rims and up to 20" aluminum alloy rims
- "Jet-blast" rapid inflation system for tubeless tires: air is pumped into the tire through nozzles in each jaw
- Tilt back post
- Self-centring four-jaw turntable
- Rubber protection on bead breaking device to avoid damage to tires and rims
- Mounting head vertically and laterally adjustable in spaced-apart position relative to the rim
- Pedal-controlled inflation
- Pressure gauge fitted on a tilt back post.

Standard shipment: _____

- T.I. system air receiver
- bead breaker blade
- tower pole accessory shelf
- filter - lubricator
- integrated manometer
- kit of plastic protectors for jaws
- mounting lever
- grease box.

Technical Data

Rim diameter - inside clamping - outside clamping	12"-23" 10"-20"
Max. wheel diameter	1040 mm
Wheel width	3"-15"
Turntable speed	6 RPM
Working air pressure	8-10 bar
Bead breaking force	2500 kg
Motor power	1.1 kW
Power supply	1 PHx230 V/50 Hz 3 PHx400 V/50 Hz
Dimensions (WxDxH)	900x1310x1910 mm
Net weight	243 kg

Semi-Automatic Tire Changer

Options:



Art. A3
Plastic Protector for Jaws



Art. A7 Set of 4 adapters for fixing at a clamping jaw of Trommelberg tire changers allows mounting and demounting of motorcycle and scooter tires with 8"-17" rims (inside fixing).



1850

Semi-automatic tire changer for 10"-21" steel rims and 18" aluminum alloy rims.

- Suitable for 10"-21" steel rims and up to 18" aluminum alloy rims
- Self-centring four-jaw turntable
- Rubber protection on a bead breaking device to avoid damage to tires and rims
- Mounting head vertically and laterally adjustable in spaced-apart position relative to the rim
- Swivel arm offers a space-saving solution for workshops: the tire changer can be positioned close to the wall
- Ergonomic arrangement of control pedals.

Standard shipment: _____

- bead breaker blade
- filter - lubricator
- inflation gun with manometer
- kit of plastic protectors for jaws
- mounting lever
- grease box.

Technical Data

Rim clamping - from inside - from outside	12"-21" 10"-18"
Max. wheel diameter	960 mm
Wheel width	3"-12"
Turntable speed	6 RPM
Bead breaking force	2500 kg
Working air pressure	8-10 bar
Motor power	1.1 kW/ 0,75 kW
Power supply	1PHx230V/50Hz or 3PHx400V/50Hz
Dimensions (WxDxH)	780x985x1812 mm
Net weight	200 kg

Wheel Balancer with LCD Monitor for wheels up to 75 kg



Standard shipment: _____

- kit of centering cones
- width scale
- automatic scale with spot laser
- protective cover
- caliper
- pliers
- threaded shaft
- quick-lock nut
- balance weight 100 g
- flange disk.

CB1980

Wheel balancer for steel and aluminium alloy rims of cars and light trucks.

- Adjustable LCD-monitor provides perfect picture quality
- 5 position control button
- Operator guidance through pictures and text makes work more accurate and prevents misoperation
- Main systems are controlled by the high-stable and high-performance PC
- Balance shaft with high-precision bearings: for high accuracy of measurements, wear resistance and low-noise work
- Measured values are more accurate due to computerized measurement and laser indication
- Laser indicator shows the precise weight adding position
- Customer self-calibration function, calibration of automatic scale and width scale
- Special functions: automatic counting of balancing operations, balance shaft calibration, data back-up management
- 5 ALU modes, "hidden weight" and "MATCH" functions: matching the static value of the tire and the rim to ensure the minimum static imbalance value
- Complete automatic diagnostics
- Wider voltage range.

Technical Data	
Rim diameter	10"-30"
Rim width (dynamic mode)	1.5"-20"
Measuring time	7 sec
Max. wheel diameter	1175 mm / 47"
Max. wheel weight	75 kg
Shaft diameter	40 mm
Balancing accuracy	±1 g
Power supply	300 W
Rated voltage	1PHx220-230V/50Hz
Dimensions (WxDxH) (with open cover)	1450x940x1750 mm
Net weight	163 kg



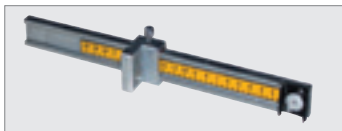
Car Wheel Balancer with LED Monitor for wheels up to 70 kg



Options:



art. A1A2
Kit for wheel balancing of light trucks
and SUVs 95-175 mm



art. A6
Device for accurate positioning of
balancing weight on wheels with
aluminium rims

CB1950B

Computer controlled wheel balancer for balancing wheels with weight up to 70 kg.

- Dynamic and static balancing mode
- Measuring offset distance by means of measuring arm
- Motorized drive for enhanced accuracy
- Balancing modes: DINAMIC, STATIC, ALU 1, ALU 2, ALU 3
- Convenient external double LED display
- Customer and factory calibration modes

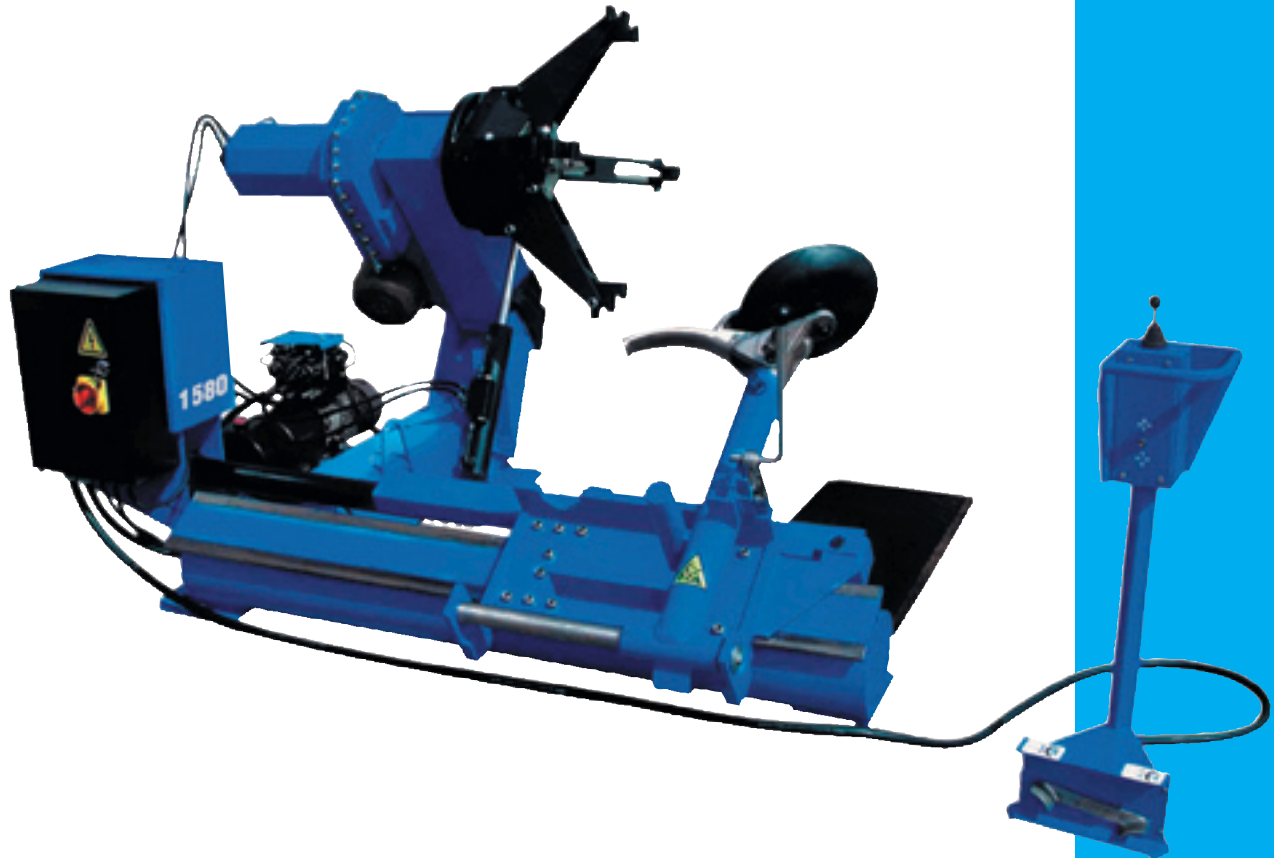
Standard shipment: _____

- centering cones: 42-61, 49-95 and 89-158 mm
- caliper
- quick-lock nut
- calibration weight 100 g
- bowl
- flange disk
- threaded shaft
- pliers
- protective cover.

Technical Data

Rim diameter	10"-24"
Rim width	1.5"-20"
Balancing time	7 sec
Max. wheel diameter	1000 mm / 39"
Max. wheel weight	70 kg
Shaft diameter	36 mm
Balancing precision	±2 g
Total power	250 W
Power supply	1PHx220-230V/50Hz
Dimensions (WxDxH)	1360x1160x1620 mm
Net weight	140 kg

Truck Tire Changer



1580

Fully automatic universal truck tire changer: all movements of the working parts are guided by the movable control platform. It is particularly suitable for handling truck wheels, farm vehicle wheels, earth-moving and industrial vehicle wheels between 14"-26" with deep grooved rims, ring rims and tubeless tires.

- Clamping mechanism with four versatile jaws
- Two rotation speeds, reverse rotation
- Hydraulic motor with an integrated hydraulic unit actuates the clamping mechanism and the mounting tool arm
- Hydraulic motor with a pressure regulating device
- Movable tool support
- Adjustable rim clamping force
- Quickly repositionable mounting tool.

Standard shipment: _____

- movable control unit
- mounting clamp
- mounting lever.

Technical Data

Rim diameter	14"-26"
Max. lifting arm capacity	1500 kg
Max. wheel diameter	1600 mm
Max. wheel width	780 mm
Bead breaking force	1500 kg
Working hydraulic pressure	0-130 bar
Total power	2.9 kW
Power supply	3PHx380-400V/50Hz
Dimensions (WxDxH)	1950x1550x950 mm
Net weight	560 kg



Wheel Balancer with Lift for wheels up to 130 kg



CB1448

Wheel balancer for trucks.

- The microprocessor is composed of high-capacity and high-stability integrated circuit
- Fully automatic dynamic and static balancing programs
- ALU programs for alloy rims
- Self-calibration and diagnostics
- Pneumatic wheel lift
- Pedal brake.

Standard shipment: _____

- pneumatic wheel lift
- mechanical measuring arm for offset distance measurement
- calibration weight 100 g
- caliper
- pliers
- 2 truck cones with flanges
- 3 car cones (42-61, 49-95, 89-158 mm)
- wing nut.

Technical Data

Rim diameter	10"-24"
Rim width (dynamic balancing)	1.5"-20"
Measuring time	7 sec (16" rim)
Max. wheel diameter	1016 mm / 40"
Max. wheel weight	130 kg
Working air pressure	8-10 bar
Balancing precision	±1 g
Total power approx	300 W
Power supply	3PHx380-400V/50Hz
Dimensions (WxDxH) (w/o pneumatic lift)	1700x700x1340 mm
Net weight (w/lift)	342 kg

Mobile Waste Oil Extractor

Standard shipment: _____

- oil tank
- glass chamber with a vacuum gauge assy
- plastic lifting basin
- kit of hoses for oil extraction/suction
- probes with connectors for oil extraction
 - Ø 6 mm x 600 mm (copper tube)
 - Ø 4 mm x 600 mm (copper tube)
 - Ø 6 mm x 650 mm (PVC hose)
 - Ø 4 mm x 650 mm (PVC hose)
 - Ø 6 mm x 750 mm (PVC hose)
 - Ø 4 mm x 750 mm (PVC hose).



UZM80

Mobile air-operated unit for collecting waste oil by draining into the lifting basin or extraction through suction probes.

- Fast and easy extraction of waste oil from engines and gear boxes through suction probes under vacuum
- Lifting basin (Ø 470mm) is used to drain waste oil by gravity
- Installation on pit, floor and under lifts
- Glass chamber allows you to view the quality and quantity of the oil being changed
- Accelerated oil discharge from the temporary storage tank under the impact of compressed air

Technical Data

Oil tank capacity	80 L
Glass chamber capacity	10 L
Lifting basin capacity	13 L
Operating air pressure	6-8 bar (vacuuming)
Operating air pressure	2.5 bar (discharge)
Air flow rate (at 8 bar)	200 L/min
Vacuum	0...-1 bar
Dimensions (WxDxH)	490x410x880 mm
Net weight	28 kg

Mobile Waste Oil Drainer and Extractor



Standard shipment: _____

- oil tank with a pressure gauge
- plastic chamber with a vacuum gauge and a measuring scale
- lifting basin with a spreader
- kit of hoses for oil extration/suction
- probes with connectors for oil extraction
 - Ø 6 mm x 600 mm (cupper tube)
 - Ø 4 mm x 600 mm (cupper tube)
 - Ø 6 mm x 650 mm (PVC hose)
 - Ø 4 mm x 650 mm (PVC hose)
 - Ø 6 mm x 750 mm (PVC hose)
 - Ø 4 mm x 750 mm (PVC hose).

UZM8097

Mobile air-operated unit for collecting waste oil by draining into the lifting basin or extraction through suction probes.

- Lifting basin is used to drain waste oil by gravity: max. diameter of 570 mm (with a spreader); equipped with a metal mesh filter
- Air-tight, leak-proof transparent chamber allows you to view the quality and quantity of the oil being changed
- The viewing chamber is made of heat-resistant material with standing oil temperatures up to 120°C
- Fast and easy extraction of waste oil from engines and gear boxes through suction probes under vacuum
- Fluid-level gauge for measuring the oil tank capacity
- Installation on pit, floor and under lifts
- Accelerated oil discharge from the tank under the impact of compressed air
- Modern and reliable design.

Technical Data

Oil tank capacity	80 L
Plastic chamber capacity	12 L
Lifting basin capacity	20 L
Operating air pressure	7-10 bar
Max. oil extration rate (at 60°C)	6.5 L/min (for probe 8x700mm)
Vacuum	0...-0.85 bar
Max. lifting basin height	1940 mm
Dimensions (WxDxH)	554x452x1280 mm (min.)
Net weight	33 kg (leer)

Mobile Waste Oil Drainer

Standard shipment: _____

- oil tank with a pressure gauge
- lifting basin with a spreader
- kit of hoses for oil extraction



UZM8081

Mobile air-operated unit for collecting waste oil by draining into the lifting basin.

- Lifting basin is used to drain waste oil by gravity: max. diameter of 570 mm (with a spreader); equipped with a metal mesh filter
- Fluid-level gauge for measuring the oil tank capacity
- Installation on pit, floor and under lifts
- Accelerated oil discharge from the tank under the impact of compressed air
- Modern and reliable design.

Technical Data	
Oil tank capacity	80 L
Lifting basin capacity	20 L
Operating air pressure	7-10 bar
Max. lifting basin height	1940 mm
Dimensions (WxDxH)	554x452x1280 mm (min.)
Net weight	26 kg

Mobile Oil Dispenser Kit



Standard shipment: _____

- pneumatic pump 5:1
- trolley
- oil gun with electronic flow meter
- high pressure hose

UZM12990

Oil dispenser kit containing pneumatic pump, oil filler gun with electronic flow meter, trolley and hose. The pump is suitable for filling oil, removing waste oil and other neutral liquids. Built-in electronic digital flow meter allows continuous control of the amount of injected liquid.

Technical Data	
Air working pressure	5-8 bar
Pump ratio	5:1
Pump flow rate	12-18 L/min
Air consumption	240 L/min
Max. oil viscosity	250 SAE
Working temperature	-10...+50°C
Suction pipe height	940 mm
Air inlet fitting	1/4"
Oil exhaust fitting	1/2" male
Max. carrying capacity of trolley	220 kg

Mobile Grease Pump Unit for 50/60 kg drums

Standard shipment: _____

- air-operated grease pump 50:1
- galvanized steel trolley
- drum cover
- follower plate
- grease gun with a z-swivel
- 1/4" BSP x 2m grease connection hose



UZM2060

Mobile unit specially intended for dispensing heavy thick grease. Standard model is supplied with a trolley, an air-operated grease pump and a grease gun.

- High-efficiency dual action air-operated grease pump with a compression ratio of 50:1
- Galvanized steel trolley with a long service life and neat appearance
- Supplied with a drum cover and a follower plate
- Grease gun is outfitted with a z-swivel for convenient operation.

Technical Data	
Operating air pressure	3-8 bar
Compression ratio	50:1
Max. grease pressure	400 bar
Max. free flow rate	800 g/min
Suction tube height	480 mm
Grease outlet fitting	1/4" BSP
Drum cover diameter	385 mm
Follower plate diameter	370 mm
Suitable for drum max. capacity	60 kg

Mobile Infrared Dryers 1 cassette

max. curing area

800 x 500 mm



IR1 Economy

Mobile short wave infrared dryers with one cassette for car paint curing.

- Stainless steel reflector with a high reflective capacity
- Equipped with quartz short wave infrared halogen lamps
- Vertically adjustable cassette for car roof curing
- Rotatable cassette 300° in the horizontal plane.

Technical Data

Power	1x1000 W
Max.curing area	800x500 mm
Set time	up to 60 min
Timer	mechanical
Curing distance	30...60 cm
Power intensity	non-adjustable
Power supply	1PHx220-230/50Hz

Mobile Infrared Dryers 2 cassettes

max. curing area

800 x 800 mm



IR2L Economy

Mobile short wave infrared dryers with two cassettes for car paint curing.

- Stainless steel reflector with a high reflective capacity
- Equipped with quartz short wave infrared halogen lamps
- Vertically adjustable cassette for car roof curing (IR 2L)
- Rotatable cassette 300° in the horizontal plane.

Technical Data	IR2 Economico
Power	2x1100 = 2200 W
Max.curing area	800 x 800 mm
Set time	up to 60 min
Timer	mechanical
Curing distance	30...60 cm
Power intensity	non-adjustable
Power supply	1PHx220-230/50Hz

Mobile Infrared Dryer 3 cassettes

max. curing area

1200 x 1000 mm



IR3 ECONOMY

Mobile short wave infrared dryer with three cassettes for car paint curing.

- Stainless steel reflector with a high reflective capacity
- Equipped with quartz short wave infrared halogen lamps
- Cassette support arm is kept at the required height by the hydraulic cylinder and the fixing bracket
- Cassette assembly rotates 300°
- Led indicators of curing time, power intensity and power supply
- Mechanical regulator of the emitted power
- Overload protection
- Individually switched cassettes.

Technical Data

Power	3x1100 W
Max.curing area	1200 x 1000 mm
Set time	up to 60 min
Timer	mechanical
Curing distance	30...60 cm
Power intensity	10...100% (continuous)
Power supply	1PHx220-230/50Hz

Mobile Infrared Dryer 3 cassettes

max. curing area

1200 x 1000 mm



IR3D PREMIUM

Mobile short wave infrared dryer with three cassettes for car paint curing.

- Bright stainless steel reflector
- Equipped with 50-cm quartz short wave infrared halogen lamp
- Stainless steel reflector with a high reflective capacity
- Cassette support arm is kept at the required height by the hydraulic cylinder and the fixing bracket
- Cassette assembly rotates 300°
- Fully automated curing process
- Monochrome LCD allows all current parameters to be viewed
- Ultrasonic distance sensor with an auto shut-off function
- Automatic temperature measurement
- Electronic timer, electronic power adjustment
- Full overload protection
- Individually switched cassettes.

Technical Data

Power	3x1100 W
Max.curing area	1200 x 1000 mm
Set time	up to 99 min
Timer	electronic
Curing distance	30...60 cm
Power intensity	10-100% (continuously)
Power supply	1PHx220-230/50Hz

Spray Booth



SB7427P

Trommelberg spray booth with max. air capacity 24000 m³/h, equipped with a RIELLO oil burner with max. heating capacity 200000 kcal/h.

The spray booth meets all current market requirements and accommodates most passenger cars.

BOOTH CABIN

The spray booth is designed with a modern looking cabin made of pre-painted wall panels with thermal and acoustic insulation. The cabin is outfitted with a 3-fold front entry door and an emergency service door that can be located in one of the main door folds.

HEATING/VENTILATING UNIT

The heating/ventilating unit can be installed on the left-hand side, on the right-hand side or in the rear of the booth cabin according to your preferences.

The required air exchange is achieved by means of 2 double centrifugal fans with belt drive installed on air intake and exhaust lines.

The heating/ventilating unit allows the spray booth to operate in a paint phase with total air exhaust and in a bake phase with closed-circuit warm air recirculation.



BASE AND FLOORS

The spray booth is supplied with a metal base (H = 300 mm). The floor consists of 3 rows of grates with fine mesh and 2 rows of floor metal sheets that serve as entry runways for the vehicle. If necessary, the base can be recessed into the body shop floor to align the spray booth floor with the body shop floor.

CONTROL SYSTEM

The electric control panel manages all working modes and ensures safe oil burner operation. The control panel features working mode indicators, operating and emergency alarm, time setting and a temperature controller. The booth cabin is additionally equipped with a pressure gauge.

LIGHTING SYSTEM

The spray booth is equipped with powerful lighting combined of top lights and side lights. The top lights fitted at 45° complemented by side lights provide comfortable working and color matching conditions.

FILTERING SYSTEM

The standard scope of supply includes intake and exhaust multi-pocket type pre-filters and exhaust filters, ceiling fine filter and floor paint stop filter.

Multi-pocket filters are installed on wire support nets for simple filter replacement.

Standard shipment

- heating/ventilating unit with two centrifugal fans and belt drive;
- stainless steel heat exchanger;
- oil burner RIELLO G20;
- metal floor grating;
- 2 entry ramps;
- 3-fold entry door;
- 8 top lighting fixtures x 4 lamps = 32 pcs.;
- 8 side lighting fixtures x 2 lamps = 16 pcs.;
- control panel;
- kit of filters.

Technical Data	
Burner	Oil
Dimensions	
- inside (DxWxH)	6900x3900x2650 mm
- outside (DxWxH)	7005x4005x3400 mm
- 3-fold door (WxH)	3000x2600 mm
- service door (WxH)	650x2000 mm
Heating/ventilating unit	
- air intake motor power	7.5 kW
- air exhaust motor power	7.5 kW
- burner max. heating capacity	200000 kcal/h
- max. air capacity in paint phase	24000 m ³ /h
- max. oil consumption	17 L/cycle
- temperature in bake phase	60-80°C
Power supply	
Total power	16.6 kW
Motor voltage and phase	3PH x 400V/50Hz
Other data	
Light power	32x36 + 16x20 = 1472 W
Entry ramp length	2000 mm
Floor load capacity	500 kg/wheel print (0.2x0.2m)
Wall panel thickness	50 mm

Industrial Spray Booth



Standard shipment: _____

- 2 heating/ventilation units
- 2 heat exchangers made of stainless steel
- 2 Riello RS28 oil burners
- 2 x 4-fold main doors and 2 service doors
- painted wall panels with polystyrene foam insulation
- 16 ceiling lights x 4 lamps = 64 lamps
- 12 side vertical lights x 4 lamps = 48 lamps
- control unit
- set of filters.

SB1555

Spray booth with two powerful heating/ventilation units providing air exchange up to 80000 m³ /hour and fast heating up to working temperatures. Spray booth is used for painting and baking of large objects, e.g. trucks, buses, etc.

Industrial preparation zone can be manufactured according to customer requirements.

Cabin

Spray booth is made of painted wall panels with heat and sound insulation. Safe heat- and soundproof filling in combination with powerful heating/ventilation units ensures fast heating and constant air temperature. The equipment meets all the market requirements and allows working with large vehicles. Cabin is of drive-through type with two 4-fold main doors and two service doors.

Heating/ventilation system

The spray booth is equipped with two heating/ventilation units with two motors for intake fans and one motor for exhaust centrifugal fan each. There are electric dampers for switching between the spray and baking modes. Two powerful oil burners RIELLO provide total heating power sufficient for heating and maintaining temperature at 60°C. Heating/ventilation units are located on the same side.

Basement and floors

Spray booth is installed on a concrete basement prepared beforehand, which should have two tunnels for exhaust air. Tunnels are covered alongside by hard metal grilles.



Control unit

Spray booth is equipped with an electric control unit, which controls all operation modes and ensures safe work of oil burners. Control unit has indicators of operation modes, emergency alarm, time setting device and a temperature controller.

Lighting

The spray booth is equipped with powerful combined lighting including ceiling and side lights. Ceiling lights are located at the angle of 45° and in combination with side vertical bottom lights ensure comfortable work and create ideal conditions for comparing the colors of original and refinishing coats.

Filters

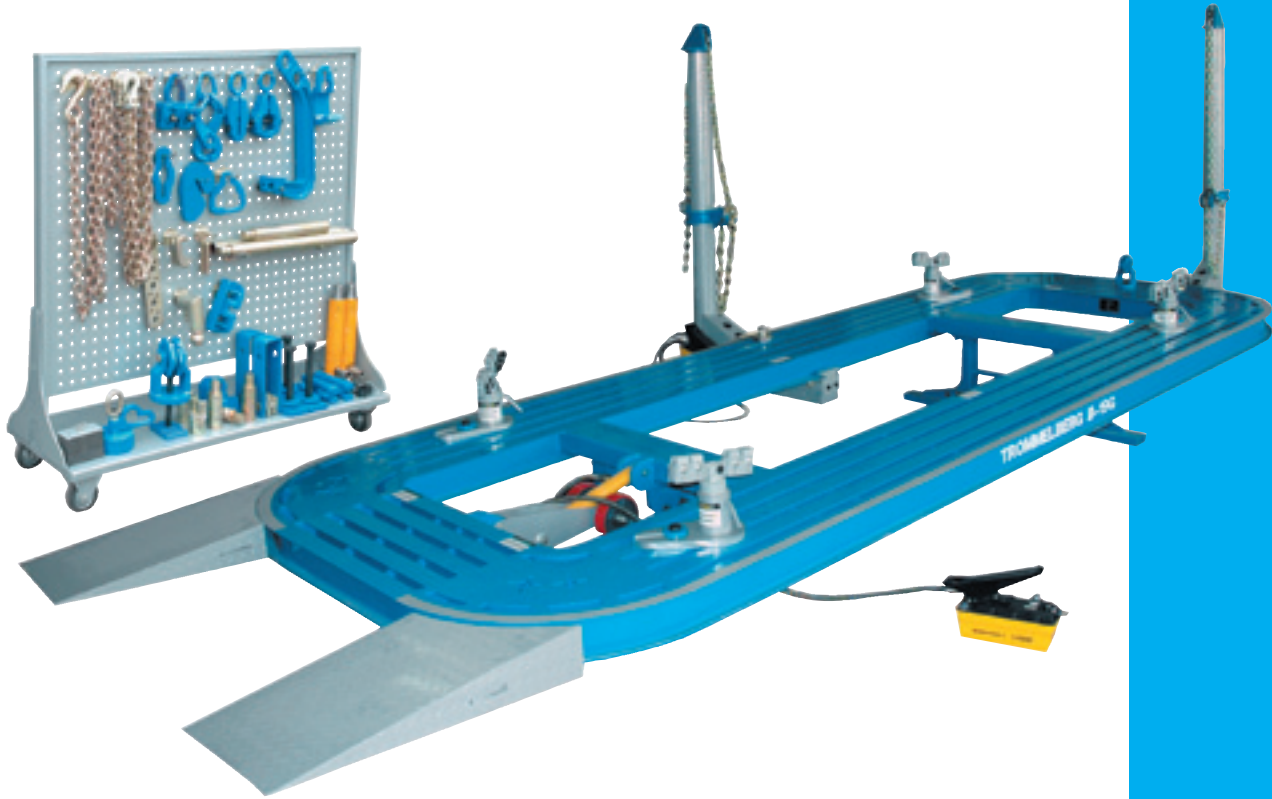
The standard spray booth is equipped with all types of filters, including pre-filter and exhaust filters, fine ceiling filter, floor overspray filter. The pre-filter and exhaust filters are easily replaceable due to the quick-release metal frames they are set on.

Recommended options:

- Modification of dimensions
- Folded doors or roller shutters
- Installation of gas burners instead of oil burners
- Different power and productivity of heating/ventilation units
- Installation of additional doors in the middle of the cabin
- Modification of the number and type of lights
- Air exhaust through special holes in side walls (semi-downdraft)
- Installation of an operator's lift for painting high objects.

Technical Data	
Dimensions	
cabin (DxWxH)	15000x5000x5000 mm
outside (DxWxH)	15140x6890x5600 mm
4-fold door (WxH)	4400x4500 mm
service door (WxH)	650x2000 mm
Heating/ventilation system	
Intake fan motors	4x7.5 kW
Exhaust fan motor	2 x 11.0 kW
Burner heating capacity	up to 500.000 kcal/h
Air flow rate in spray mode	up to 80.000 m ³ /h
Baking temperature	up to 60°C
Max oil consumption	40 L/cycle
Mains	
Total power	56 kW
Power supply	3PHx380-400V/50Hz
Other data	
Lighting power	64x36 + 48x36 = 4032 W
Thickness of wall panels	70 mm

Platform Benches



B22G / B19G

Platform benches are designed for alignment of a car body with any type of damages. The benches are equipped with a platform with lateral recesses for four standard body clamps mounted in any point of the platform.

The clamps are easily mounted on the platform by means of a single bolt. Such configuration ensures fast and simple adjustment of height, inclination and angular rotation of the heads.

Two hydraulically driven pulling towers with the pulling force of 10 tons can be easily moved around the platform which makes it possible to apply pulling force to any point of the car body. Change the position of the collar with pulley to specify the height of the pulling force application point.

To drive the vehicle on and off the platform there is a whole-body lift set. Use integrated hydraulic pump ENERPAC to control lifting and lowering cycles of the platform. Standard bench set also includes two drive-on ramps.

Apart from these specified features, Trommelberg bench standard shipment includes a wide range of accessories: chains, clamps, fixtures, chain connectors and chain's shortener etc.

Technical Data	B 22 G	B 19 G
Platform length	5500 mm	
Platform width	2100 mm	
Platform height	360-600 mm	560 mm
Pulling force	2x10 t	
Working air pressure	8 bar	
Capacity	3500 kg	
Net weight	2500 kg	

Options:



art. UC-2

Set of clamps for frame-type car,
4 pcs.



art. D104736

Pneumo-hydraulic pump with foot
drive for work with benches, hydraulic
spreaders and other devices requiring
high pressure of hydraulic liquid.

Bench with whole-body lift

B 22 G



Bench with sidewise tilting lift

B 19 G



Standard shipment:	B 22 G	B 19 G
platform	1	1
tower	2	2
drive-in ramps	2	2
whole-body lift	1	-
sidewise tilting lift	-	1
main clamp	4	4
wheel bracket	2	2
3.5 m chain without Hook	2	2
1.2 m without Hook	4	2
small clamp	1	1
box clamp	1	1
scissors clamp	1	-
multi-direction clamp	1	-
hook&bracket	1	1
steel hook	1	-
deep hook	1	1
chain shortener	1	1
chain linker	1	1
draw board	1	1

	B 22 G	B 19 G
nylon strap	1	1
steel wire	1	1
pull down set	1	1
dead car dolly	2	2
chain car dolly	2	-
hydraulic cylinder	2	-
connector head	1	-
mandril	2	-
chain fixing base	4	-
ball	2	-
pin	12	-
electric car pull winch	1	-
second lift	1	-
small car tool	1	1
pothook	26	16
pull up unit	1	-
shock absorber set	1	-
air pump w/hose	2	2

Frame Bench



B4G

Frame bench with lifting unit and hydraulic power unit, tower and accessories for medium or small car body repair. The bench features small size, big pulling force and flexible control. It does not require specific devices for vehicle drive-on and drive-off during operation.

- Suitable for all types of body shops.
- Can be used in repair of most cars and light trucks weighing up to 2.5 tons.
- Does not require much work space. Extremely compact when out of use.
- Can be used as a scissors lift for body work.
- Simple and reliable design ensures convenient operation and long useful life.
- The standard equipment of the bench allows you to carry out full-scale body repair at no extra cost.
- Low cost - fast recovery of initial costs.

Technical Data

Frame length	3440 mm
Frame width	850 mm
Frame height	120-1300 mm
Max. working pressure of hydraulic system	500 bar
Working air pressure	6-8 bar
Max. pulling force	5 t
Total power	2.2 kW
Power supply	1PH/230-230V/50Hz
Max. lifting capacity	2500 kg
Net weight	1300 kg

Body repair tools

Screw Pull Clamp with Movable Ring

Screw clamp with a movable pull ring and wide jaws. The pull ring can be moved in the pulling force application plane.

max. capacity	width of jaws
6.0 t	100 mm

D104011



Self-Locking Clamp

Self-locking clamp for pulling in one direction, with an eye-bolt.

max. capacity	width of jaws
10.0 t	60 mm

D104010



Box Screw Clamp (two-way)

Box screw clamp for pulling in two perpendicular directions. It is suitable for fixing on parts with flanged edges.

max. straight capacity	max. cross capacity
3.0 t	2.0 t

D104102N



Small Mouth Pull Clamp (two-way)

Screw clamp for pulling in two perpendicular directions.

max. straight capacity	max. cross capacity
3.0 t	2.0 t

D104101N



Mini Clamp (two-way)

Screw clamp with a pulling ring for pulling in two directions. Due to its small size, the clamp can be used in narrow spaces.

max. straight capacity	max. cross capacity
3.0 t	2.0 t

D104104



Body repair tools

Scissors Clamp

Self-clamping scissors clamp for pulling in one direction.

max. capacity

3.0 t

D104106



C-Type Clamp

C-type clamp with a screw fixture for pulling in various directions.

max. capacity

5.0 t

body opening

15 cm

D104107



Long Nose Clamp

Screw clamp with a pulling lock-ring for use in narrow spaces.

max. capacity

2.0 t

D104105



Heavy Duty Pull Clamp

Screw pull clamp for heavy duty operation.

max. straight capacity

5.0 t

D104103



Three-Way Pull Clamp

Screw clamp with wide jaws and three pulling rings for pulling in various directions. Due to wide knurled jaws, the clamp is more stable.

jaws width max.

120 mm

straight capacity max.

5.0 t

cross capacity

3.0 t

max. capacity at other angles

3.0 t

D104601NN



Body repair tools

Wide Serrate Clamp Bar

- Supplied with two shackles enabling the clamp to be used to pull in two different directions
- Max. pulling force: 5 tons
- Clamps and shackles are adjustable.

D104602



Univerasal Bolt Clamp

Universal clamp with screw fixing and replaceable 100 mm grips.

D104031



Right Angle Clamp

Screw clamp for pulling in two perpendicular directions with 100-mm replaceable grips and an eye-bolt.

D104032



10 Ton Hydraulic Body Repair Kit Pro

Body repair kit in a plastic case comprising a hydraulic cylinder and a hand pump.

D104531



Stroke
150 mm

4 and 10 Ton Hydraulic Body Repair Kit

Body repair kit in a plastic case comprising a hydraulic cylinder and a hand pump.

Article		Piston rod stroke	Min. height of hydraulic cylinder	Package dimensions (LxWxH)	Net weight
SD100102	4 t	120 mm	267 mm	595x335x180 mm	18.5 kg
SD100202	10 t	130 mm	322 mm	750x410x170 mm	31.5 kg

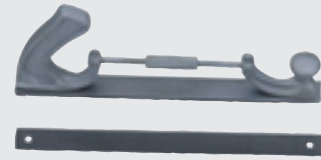


Body repair tools

Flat File Kit

- Outfitted with a tension adjustment screw
- Scope of supply includes one replacement blade 9 tpi
- Made of special high strength steel.

D102115



D102116-9

Clamp Anchor Base

Chain fixing base for hydraulic cylinders.

chain link rod dia.

8-9 mm

D104113



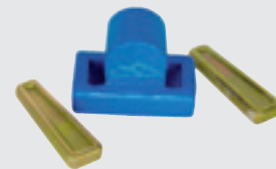
Ball Pivot Base

Ball pivot base set for fixing on a bench frame.
Supplied with 2 pins for fixing.

chain link rod dia.

8-9 mm

D104112



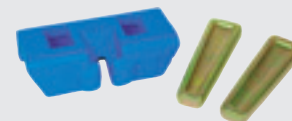
Chain Fixing Base for Bench Frame

Chain fixing base complete with two wedges.

chain link rod dia.

8-9 mm

D104111



10 Ton Pull Cylinder

Hydraulic cylinder for pulling vehicle parts during body repair.

- Scope of supply includes connectors and 2 pulling hooks.

max. pulling force

10.0 t

D104551



Body repair tools

Ball Pivot

Ball pivot base set for the hydraulic cylinder art. D104112.

D104114



Multi-Hole Pull Plate

Due to multitude of holes it is possible to set the plate at any required place on a vehicle's chassis.

D104123



max.capacity

6.0 t

Body Plate Clamp

Pulling plate clamp with 3-point bolt fixing and a single-way pulling ring. Suitable for work with parts damaged in the middle.

D104207



max.capacity

5.0 t

Chain Handy Hook

Wide hook with a groove for chain locking used for bodywork.

D104125



Chain Pulley Set

- To be installed on the bench frame
- For creating downward pulling force
- Supplied with two fixing wedges.

D104120



chain link rod dia.

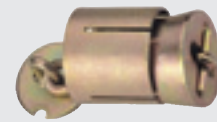
8-9 mm

Body repair tools

Chain Pull Fixing Base

Device for fixing chains to the floor.

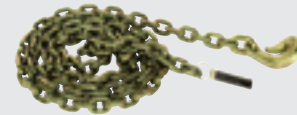
D104119



Pulling Chains

Pulling chains with a hook for bodywork.

article	size	pulling capacity
D104714	9 mm x 4.5 m	10.0 t
D104715	9 mm x 2.7 m	10.0 t
D104710	8 mm x 2.7 m	10.0 t



Chain Shortener

Device for chain shortening in vehicle body repair.

D104202

max. capacity	size of chain links
6.0 t	8-9 mm



Chain Joint

Chain joint is used for simultaneous pulling with two clamps.

D104201

max. capacity	size of chain links
6.0 t	8-9 mm



Chain Joint with Double Grab Hook

Chain joint with two hooks for shortening or joining chains.

D104204

max. capacity	size of chain links
6.0 t	8-9 mm



Body repair tools

Chain Joint with Double Claw Hooks

- For use as a chain shortener or chain connector
- Prevents chain twisting.

max. capacity	chain link size
6.0 t	8-9 mm

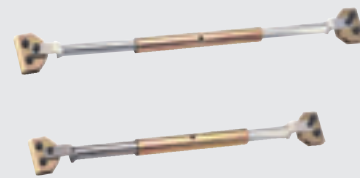
D104203



Aperture Restraining Bar

Tool designed to triangulate and strengthen door apertures while performing pulling operation. It is supplied with a steel tube and heavy jaw assemblies.

article	length
D102311	1800-1400 mm
D102310	1020-640 mm



Large Hook Pulling Kit

Pulling hook with two feet of different sizes is suitable for reaching over wide obstructions. Reduces marking due to chains.

max. capacity
6.0 t

D104121



MacPherson Strut Pulling Kit

- Max. pulling capacity: 10 tons
- Range of pulling force application: 360°
- Can be used with the BOOMERANG hook (D104121).

D104124



Body Pry Bars Set

Set of 13 body pry bars of different shapes.

Suitable for:

- dismantling stubborn body parts
- positioning body parts
- fixing body parts in the required position
- spreading clamps.

D101041



Body repair tools

Body Tool Set

Set of 4 bumping tools and 3 body hammers for bodywork.

D101008



Slide Hammer with Vacuum Sucker

Slide hammer with a vacuum sucker and a connection hose is used for restoring the concave sheet of flat metal parts. Slide hammer includes a gas ejector for creating the necessary vacuum.

D102330



Working air pressure

6-8 bar

Slide Hammer with Accessory Set

4.5 kg slide hammer with a set of accessories in a plastic case. It is used for flattening dents and irregularities in bodywork.

M101900



Body Hammer

article	description	head length
D101783	with round head and narrow curved pein	135 mm
D101782	with round head and wide straight pein	135 mm
D101780	with two rounded heads	100 mm
D101522E	large hammer with cross pein	149 mm



D101783

D101782

D101780

D101522E

Flattening Hammer with Shock Absorber

Hammer with a shock absorber, which allows to significantly reduce sheet denting. The striking face has a special spiral knurling, which limits the lengthening of the sheet.

D101789



Size

295 x 114 x \varnothing 41 mm

Body repair tools

Bumping Tools for Bodywork

article	D101016	D101015	D101011	D101017	
description	wedge-shaped	toe-shaped	twin flat	half-round	
size	120 x 50 x 38 mm	118 x 65 x 19 mm	87 x 50 x 15 mm	73 x 37 x 59 mm	
article	D101013	D101014	D101012	D101019	D101018
description	half-round flat thin	half-round flat thick	thick	anvil-type big	anvil-type small
size	90 x 55 x 25 mm	90 x 60 x 33 mm	96 x 52 x 32 mm	72 x 54 x 26 mm	62 x 51 x 70 mm



Special Body and Fender Grip Pliers Set

- Set of 5 grip pliers of different sizes for bodywork.
- Jaws are made of chrome-molybdenum steel
- Body is made of heat-treated steel
- Supplied in a portable plastic case.

D105001



Long Nose Locking Pliers

- Long straight jaws provide easy access to narrow, hard-to-get places
- Adjusting screw
- Jaws and body are made of chrome-molybdenum steel.

article	size	jaw adjustment	weight
S10612-6LN	152 mm	0-63 mm	385 g
S10612-9LN	230 mm	0-63 mm	385 g



Locking Sheet Metal Tool

- Makes bending, forming, and crimping of sheet metal easier
- Excellent for upholstery work
- Jaws and body are made of chrome-molybdenum steel.

size	jaw adjustment	weight
220 mm	35 mm	490 g

S10612-8R



Locking C-Clamp with Regular Tips

- Specially designed jaws provide good access to inaccessible places, and their wide opening makes them a perfect tool for working with parts of different non-standard shapes.
- Popular in welding and steel framing
- Jaws and body are made of chrome-molybdenum steel.

article	description	length	jaw adjustment	weight
S10612-11R	with deep jaws	280 mm	0-91 mm	740 g
S10612-18R	with long jaws	440 mm	0-221 mm	1180 g



Body repair tools

Locking Pliers

- Fitted with wire cutting pliers
- Big pulling force due to the curved shape of jaws
- Transmitted force is adjustable by means of a special nut
- Jaws and body are made of chrome-molybdenum steel.

article	size	length	opning	weight
S10612-7WR	80-120 mm	180 mm	0-43 mm	340 g
S10612-5WR	40-100 mm	140 mm	0-33 mm	170 g
S10612-10WR	110-160 mm	250 mm	0-55 mm	515 g



Locking Welding Clamp

- Suitable for round, curved and flat parts
- U-shaped jaws provide enhanced visibility and more working space
- Jaws and body are made of chrome-molybdenum steel.

length	jaw adjustment	weight
225 mm	0-60 mm	585 g



S10612-9R

LL-Type Body and Fender Grip Pliers

- Pliers for spot welding of butt or adjacent joints
- LL-type head allows keeping parts together even if their edges are bent at 90°
- Enables work in tight spots even through holes.

length	jaw adjustment	weight
215 mm	0-10 mm	515 g



D105004

W-type Body and Fender Grip Pliers

Pliers with a W-type head for panel lap joints.
Due to head design, four consecutive spot welds of body panels and fender are possible without tool removal.

length	jaw adjustment	weight
235 mm	0-15 mm	560 g



D105002

Body fitting tools

Door Upholstery Remover for 9-16 mm Clips (235 mm)

Door panel clip removal tool for 9-16 mm plastic clips.

article	length	clip dia.
S103297	235 mm	9 mm
S103301	255 mm	9 mm
S103285	500 mm	10 mm
S103298	245 mm	11 mm
S103299	250 mm	16 mm



5-pcs Handy Remover Set

Set of 5 different removers for plastic upholstery clips.

E105249



Double Head Suction Gripper

- Two 120 mm rubber suction grips prevent damage to surface
- Designed for handling material such as glass, tiles, plastic, sheet metal and other non-porous material
- Push-lock levers for easy operation
- Holds up to 40 kg in horizontal position.

head diameter	max. capacity
120 mm	40 mm

D102338

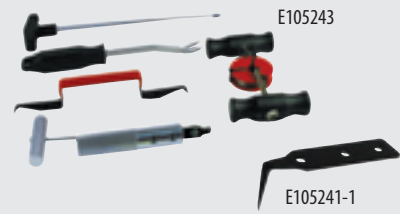


Windscreen Removal Tool Kit

Car window removal tool kit.

article	Windscreen Removal Blade
E105241-1	Replacement blade for kit art. E105243.

E105243



Pliers-Type Oil Filter Wrench (60-115 mm)

- Pliers-type wrench with strong teeth and jaws for steady fixing
- Slip-joint opening to fit a wide range of filters (60-115 mm).

A102063

